



samoco

ORMIG 33TM E/L



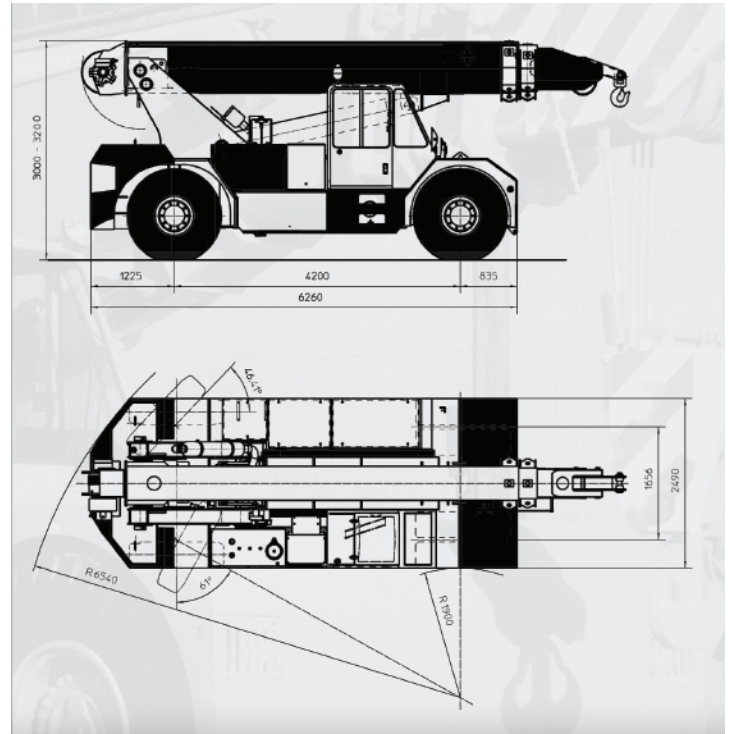
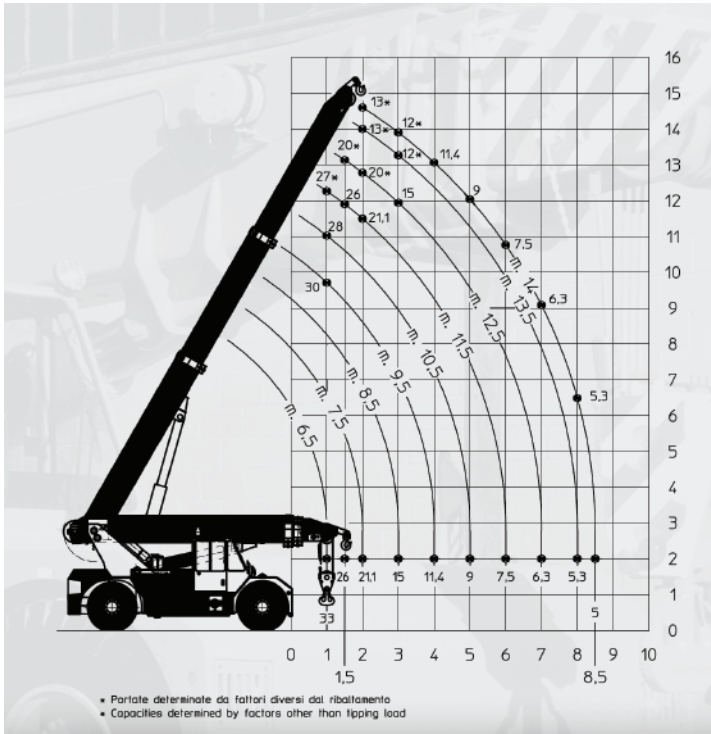
DISCOVER OUR ORMIG 33TM E/L

A Strong And Compact
33T Electrical Crane

The Ormig 33TM E/L is a pick and carry crane at electric power for loads lifting and handling in confined spaces in industrial areas, in compliance with environmental and acoustic anti-pollution rules.

Important features are the reduced overall dimensions compared with remarkable performances. The crane has four points of wheel contact to the ground for working in the best safety conditions.

Samoco NV
Vitshoekstraat 1
B-2070 Zwijndrecht
+32 3 210 23 40
info@samoco.be
www.samoco.be



Solve it with skill.
Tackle it with passion.

